

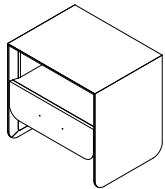
IMPORTANT SAFETY INSTRUCTIONS

- For furniture pieces measuring 24" and taller, the included anti-tip kit is recommended for added safety and stability.
- Hardware may loosen over time. Periodically check that all connections are tight and secure.

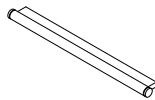
WARNING

- Furniture should not be dragged or pushed as it can cause damage both to your home and furniture.
-

PARTS INCLUDED



A NIGHTSTAND (1)



B HANDLE (1)



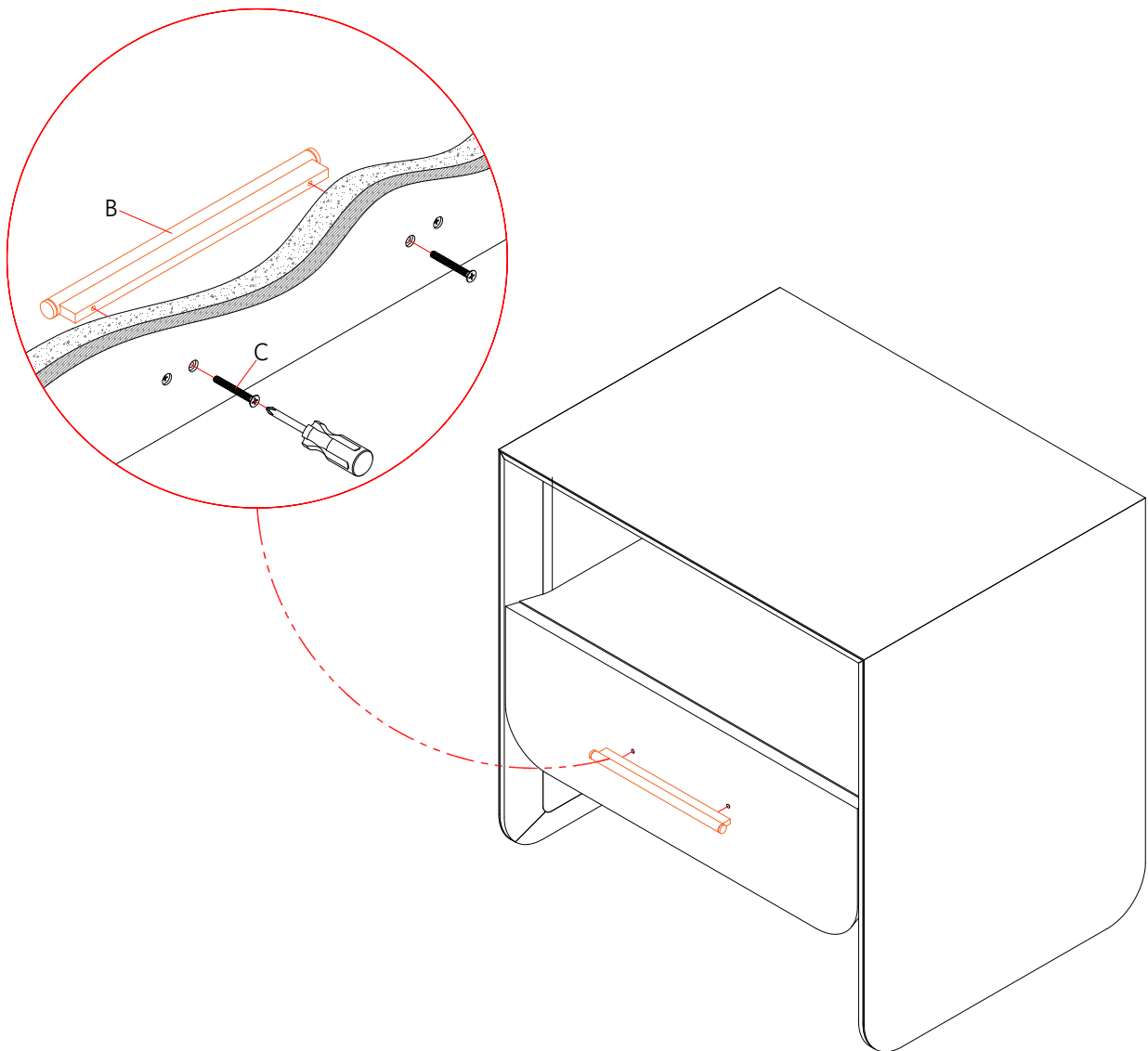
C BOLT (2)

CONTINUED ON NEXT PAGE

ASSEMBLY INSTRUCTIONS

1. Install the handles (B) to the drawers by using the Bolt (C) and Phillips screwdriver. DO NOT OVER TIGHTEN.

ASSEMBLY DIAGRAMS



CONTINUED ON NEXT PAGE

HANGMAN ANTI-TIP-KIT INSTRUCTIONS

FURNITURE TIPPING RESTRAINT INSTRUCTIONS

Young children may be injured by tipping furniture. The use of a tipping restraint is highly recommended.

When properly installed, this restraint could provide protection against the unexpected tipping of furniture due to small tremors, bumps or climbing. We recommend mounting this restraint to a wall stud.






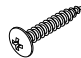

WARNING: This product is only a deterrent. It is not a substitute for proper adult supervision.

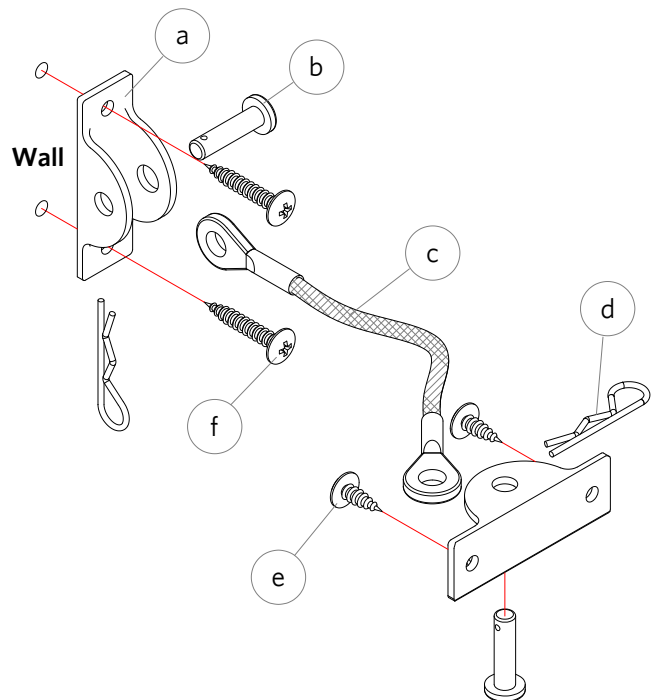
ANTI-TIP-KIT INSTALLATION INSTRUCTION

⚠ WARNING: Always mount metal brackets to solid wood of furniture. Do not attach to plywood of back panels.

ATTACH THE ANTI-TIP KIT TO A WALL STUD IF POSSIBLE OR HAVE A PROFESSIONAL ATTACH THE KIT TO MASONRY OR A CONCRETE WALL.

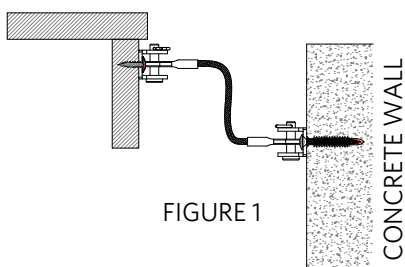
1. Attach mounting brackets (a) near the middle-top back edge of the furniture piece by inserting the shorter screws (e).
2. Determine the final position of the furniture piece. Mark locations on the wall approximately 2" below the brackets mounted to the back of the furniture.
3. Attach the second brackets to stud wall by inserting the longer screw (f) (see **FIGURE 1 & FIGURE 2**) or toggle bolt (g) through the drywall (see **FIGURE 3**).
4. Place the furniture so that the brackets on the back edge are in line with the brackets in the wall.
5. Insert the clevis pin (b) through holes on brackets and hole on steel aircraft cable (c). Use hair pin (d) to go through small hole on clevis pin (b) to lock it.
6. Repeat above step to attach the end of aircraft cable (c) to the bracket on the wall.
7. Check to make sure the steel aircraft cable is securely laced and locked to the brackets.

NO.	ITEM	DESCRIPTION	QTY.
a		Metal Bracket	2 pcs.
b		Clevis Pin	2 pcs.
c		Steel Aircraft Cable	1 pc.
d		Hair Pin	2 pcs.
e		Short Screw	2 pcs.
f		Long Screw	2 pcs.
g		Toggle bolt	2 sets.



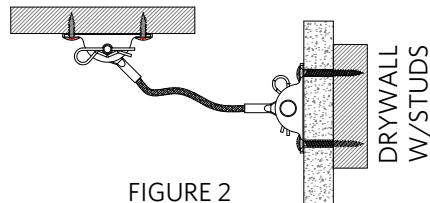
TYPE SECURING FURNITURE AND ASSEMBLY INSTRUCTIONS BY WALL TYPE:

1. Attach to top back frame of cabinet, ideal installation for dressers and chests. See detail in **FIGURE 1**.



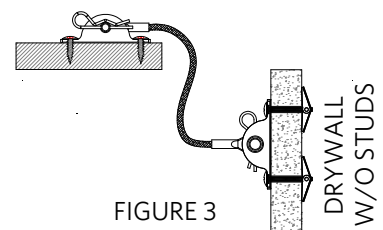
• **CONCRETE:** Drill pilot hole on each marking, and then insert plastic anchor. Use a screwdriver to attach the metal bracket to the wall with screws. See **FIGURE 1**.

2. Attach to underside of top when there is no back rail, drill through plywood back panel. Ideal installation for file cabinets and console table. See detail in **FIGURE 2**.



• **DRYWALL WITH STUDS:** Use screws to affix to studs, and use hollow wall anchors and screws to affix to drywall. See **FIGURE 2**.

3. Attach to top of tall furniture such as curio cabinets. See detail in **FIGURE 3**.



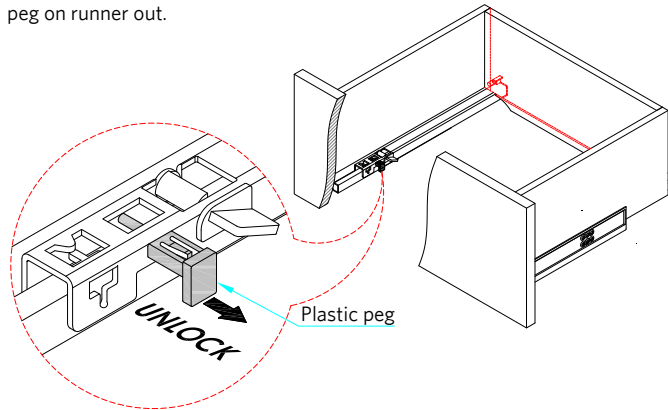
• **DRYWALL WITHOUT STUDS:** Use toggle bolt and screws to affix to drywall. See **FIGURE 3**.

BLUM RUNNER INSTRUCTION

STEP 1: DRAWER REMOVAL INSTRUCTIONS

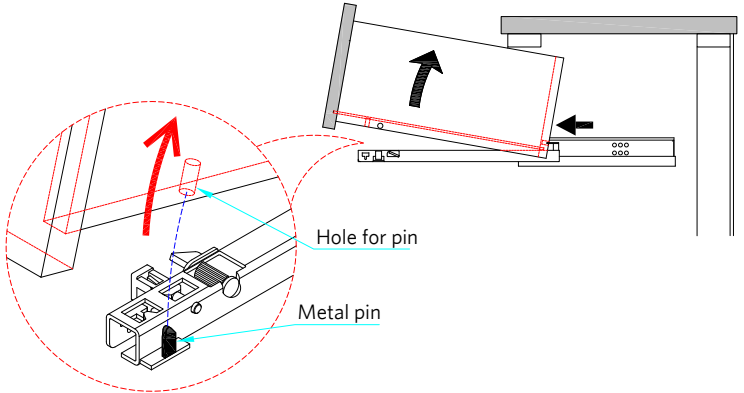
Step 1.1:

Pull the drawer out. See at bottom of drawer. Unlock by pulling black plastic peg on runner out.



Step 1.2:

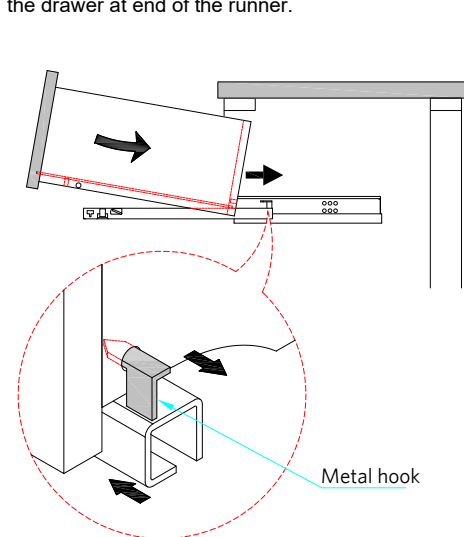
Hold the drawer with both your hands. Carefully lift the drawer front up from the front metal pin, then slide drawer forward to remove from back hooks.



STEP 2: DRAWER ASSEMBLY INSTRUCTIONS

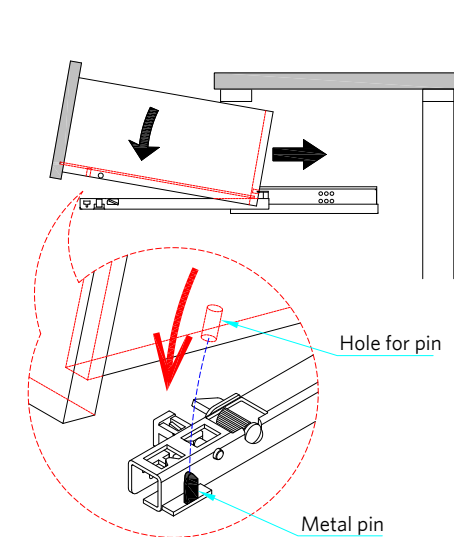
Step 2.1:

Pull the runner all the way out. Put the drawer onto them then hold both the runner with your hands. Lift the drawer up with your thumbs and push to hook the drawer at end of the runner.



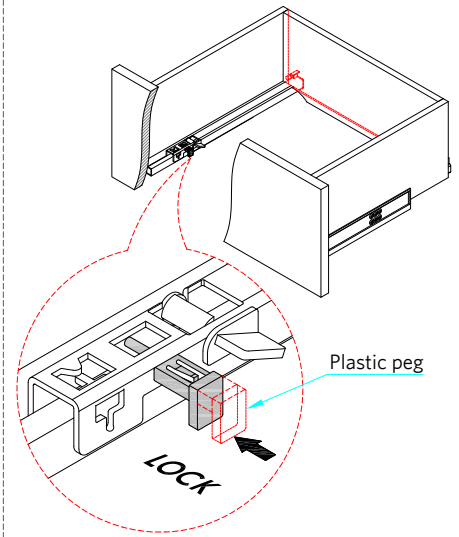
Step 2.2:

After hooks have engaged rear of drawer box, pull glide back out if necessary so alignment dowel on drawer box lines up with dowel pin on the glide.



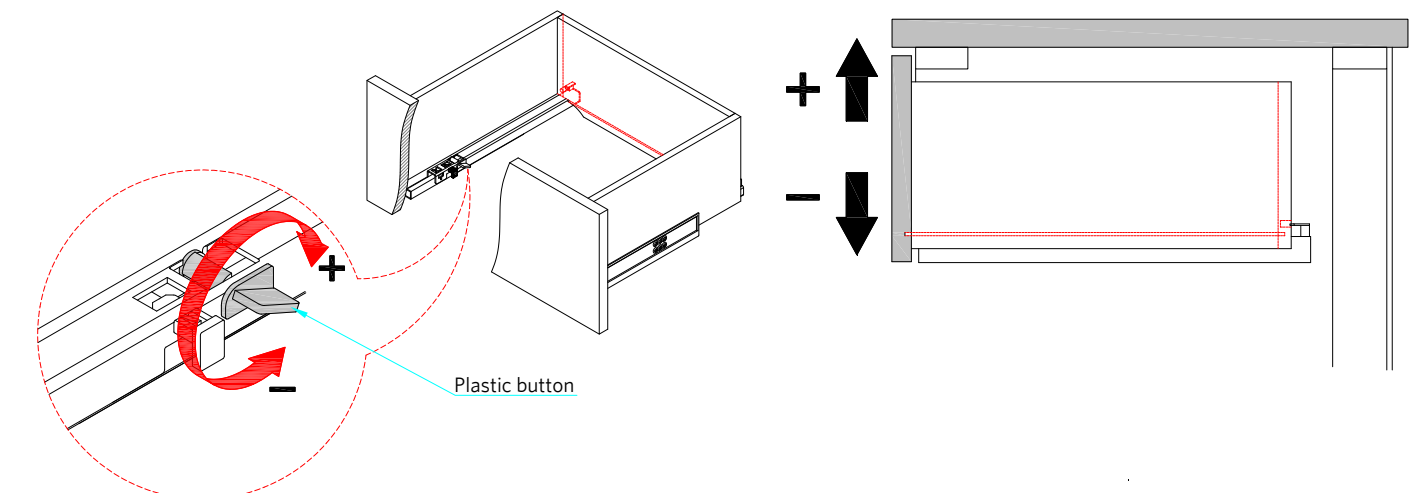
Step 2.3:

Lock the drawer to the runner by pushing the black plastic peg on the runner in.



STEP 3: DRAWER HEIGHT ADJUSTMENT INSTRUCTIONS

Adjust around gap of drawer by turn plastic button clockwise/counterclock wise direction.



Thank you for your purchase